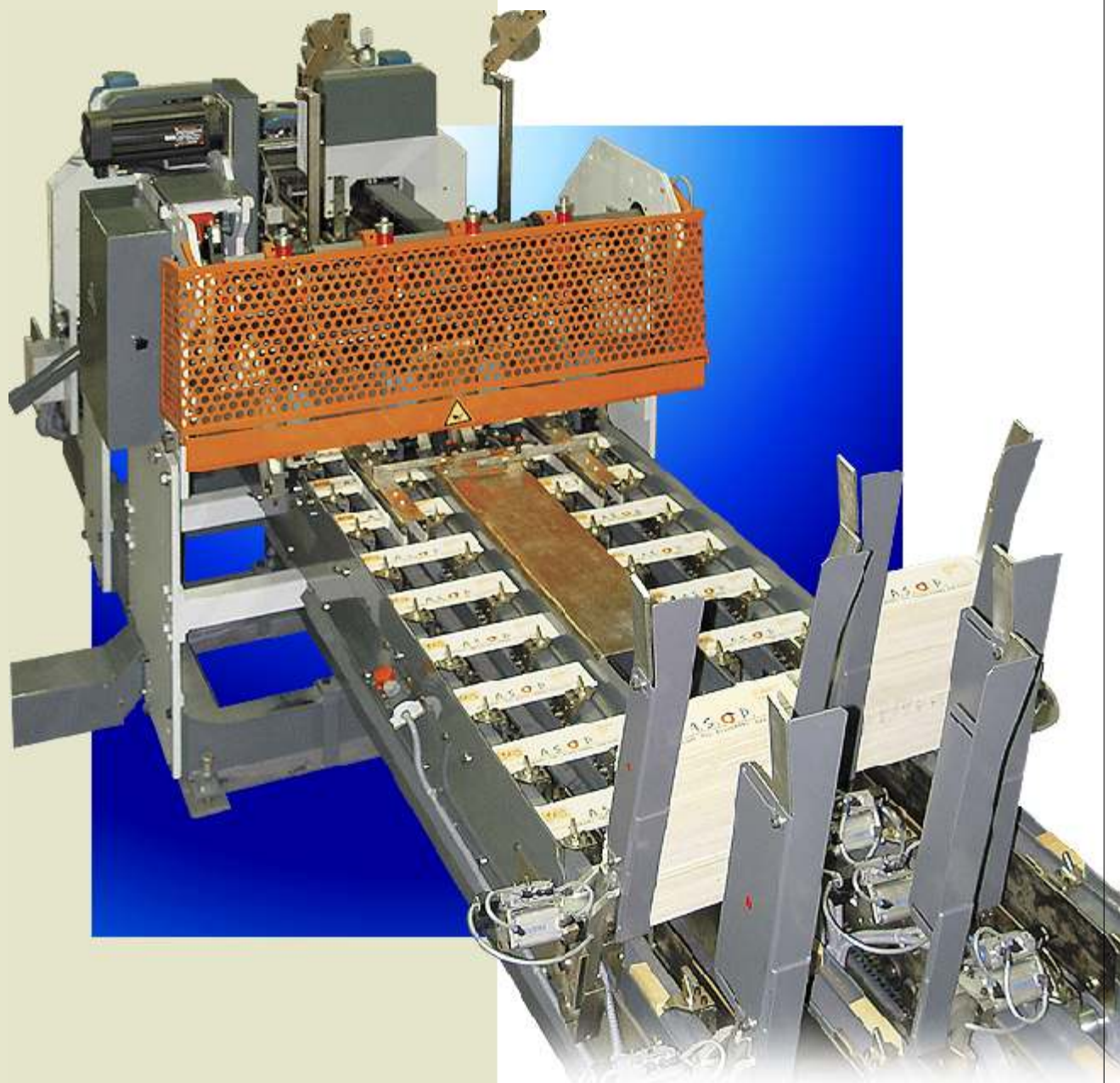


AUTOMATIC GROUP OF MACHINES FOR HEADS PRODUCTION

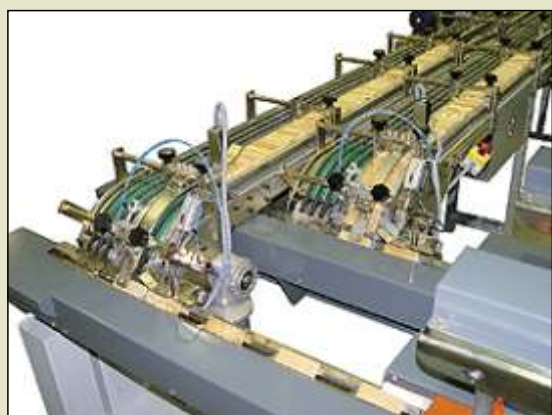
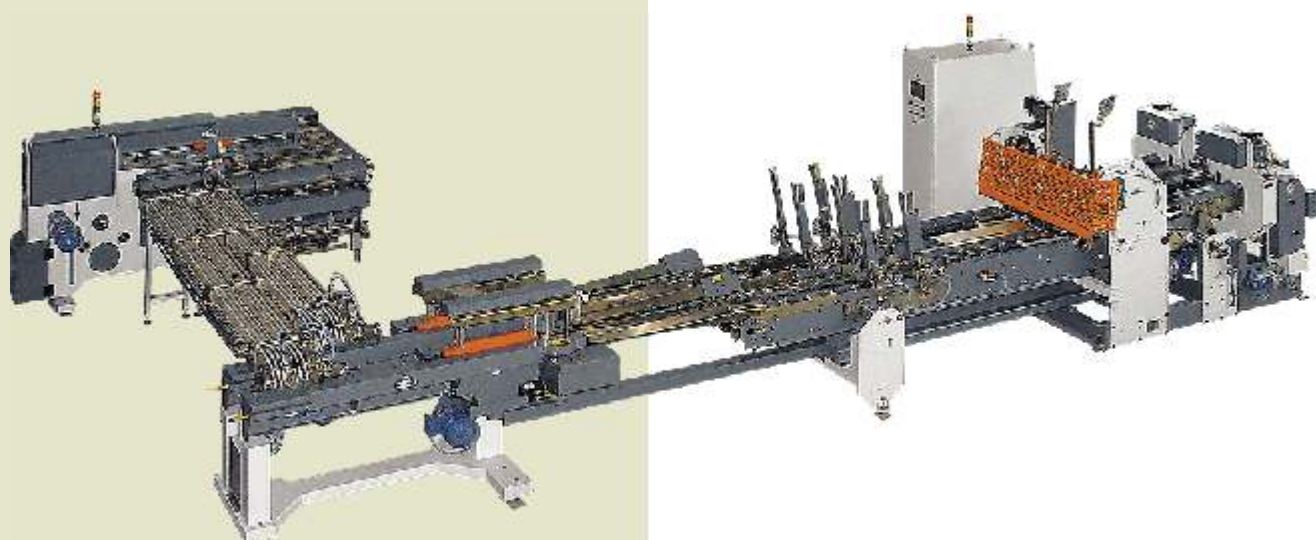
SMA-110/4



NOURIS



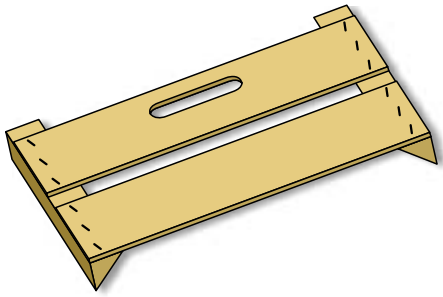
SMA 11
Automatic machine for cutting rectangles.



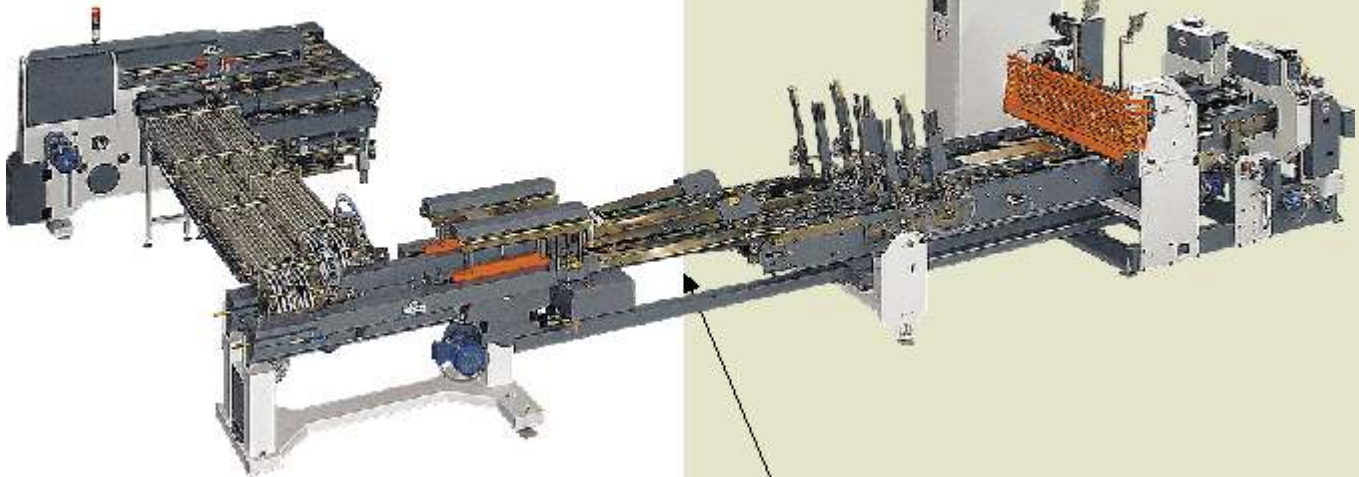
SMA 112
Automatic double slitting saw.



- HAUTE TECHNOLOGIE
- CONSTRUCTION SIMPLE
- CHANGEMENTS DE FORMATS RAPIDES ET FACILES
- ERGONOMIQUE
- FAIBLE COUT DE MAINTENANCE
- SILENCIEUSE



- ALTA TECNOLOGIA
- COSTRUZIONE SEMPLICE
- CAMBIAMENTI DI FORMATI RAPIDI E FACILI
- ERGONOMICA
- BASSO COSTO DI MANUTENZIONE
- BASSO LIVELLO DI RUMORE



- ALTA TECNOLOGÍA
- CONSTRUCCIÓN SIMPLE
- CAMBIOS DE FORMATOS RÁPIDOS Y FÁCILES
- ERGONÓMICA
- BAJO COSTE DE MANTENIMIENTO
- BAJO NIVEL DE RUIDO



- HIGH TECHNOLOGY
- SIMPLICITY IN CONSTRUCTION
- FAST AND EASY REGULATIONS
- EASY TO OPERATE
- LOW COST OF MAINTENANCE
- LOW NOISE LEVEL

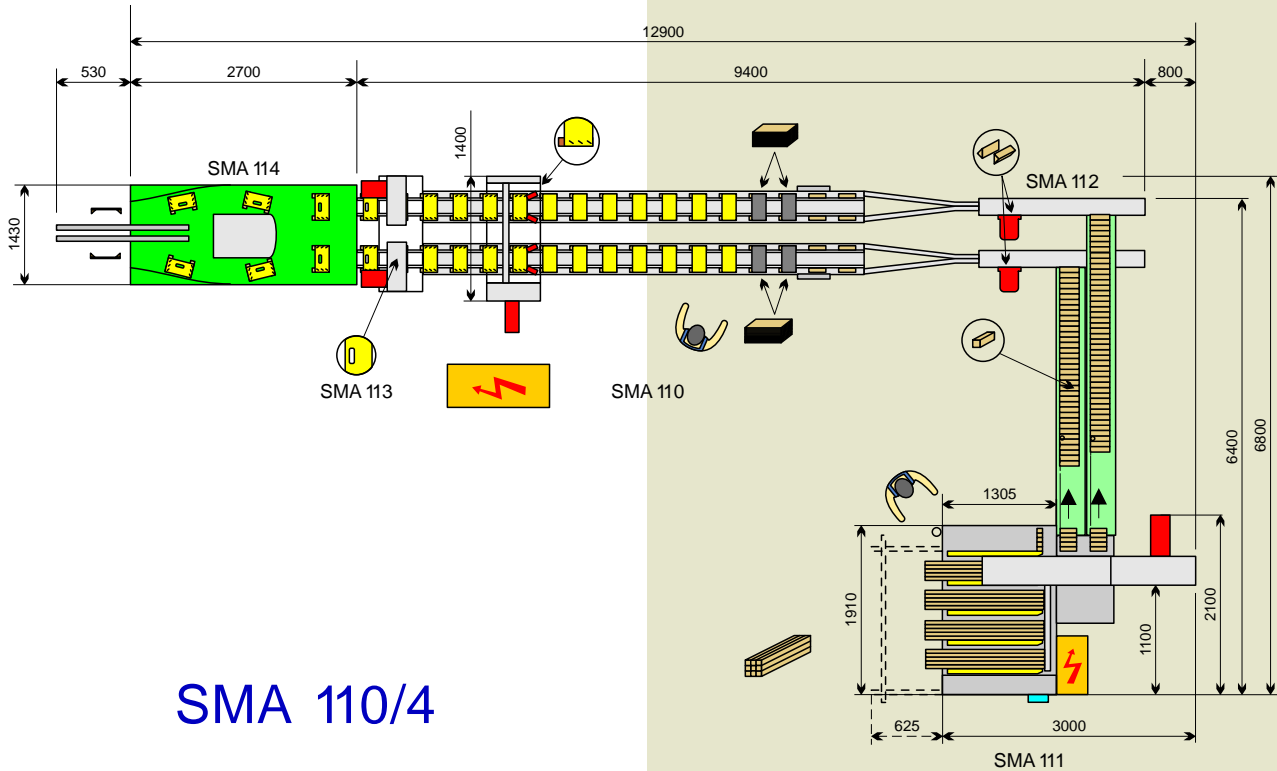


SMA 112
Chains of 1 inch for the transport of the triangles.



NOURIS

AUTOMATIC GROUP OF MACHINES FOR HEADS PRODUCTION
SMA 110/4



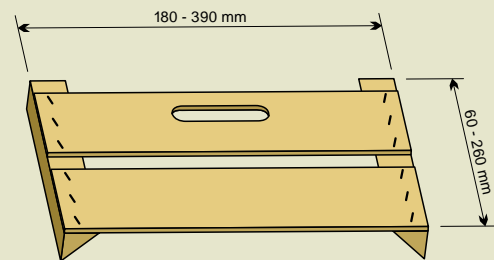
SMA 110/4

AUTOMATIC DOUBLE HEAD MACHINE

MACHINE A TETE DOUBLE PISTE

MAQUINA AUTOMATICA DE TESTEROS
 DOBLE PISTA DE ALTA PRODUCCION

LINEA AUTOMATICA DI TESTATE
 DOPIA PISTA DI ALTA PRODUZIONE



Special dimensions upon request.



NOURIS

ι. ΝΟΥΡΙΣ ΣΟΝΣ Ι.Α.

14th km. old National Road Thessaloniki - Veria
 P.O. Box 4, 570 08 Ionia, Thessaloniki, Greece
 Tel: 0030 2310 722 506, Fax: 0030 2310 722 086
[http:// www.nouris.gr](http://www.nouris.gr)