

AUTOMATIC FRAMES STITCHING MACHINE FOR WOODEN BOXES

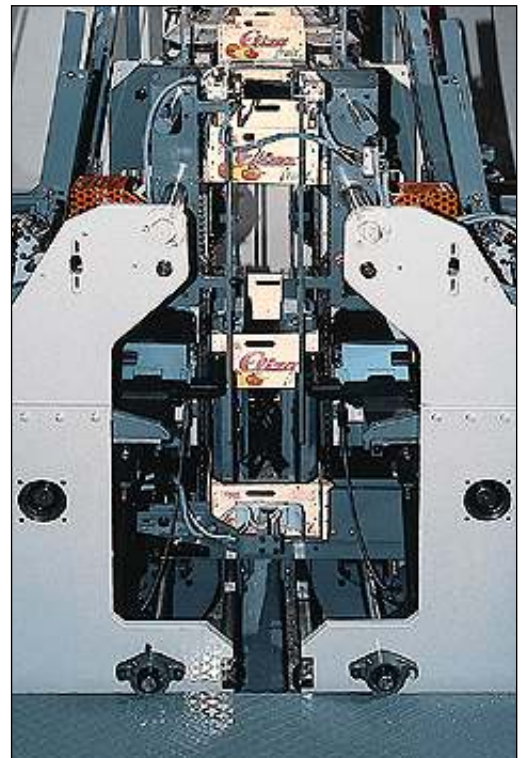
SMA 115



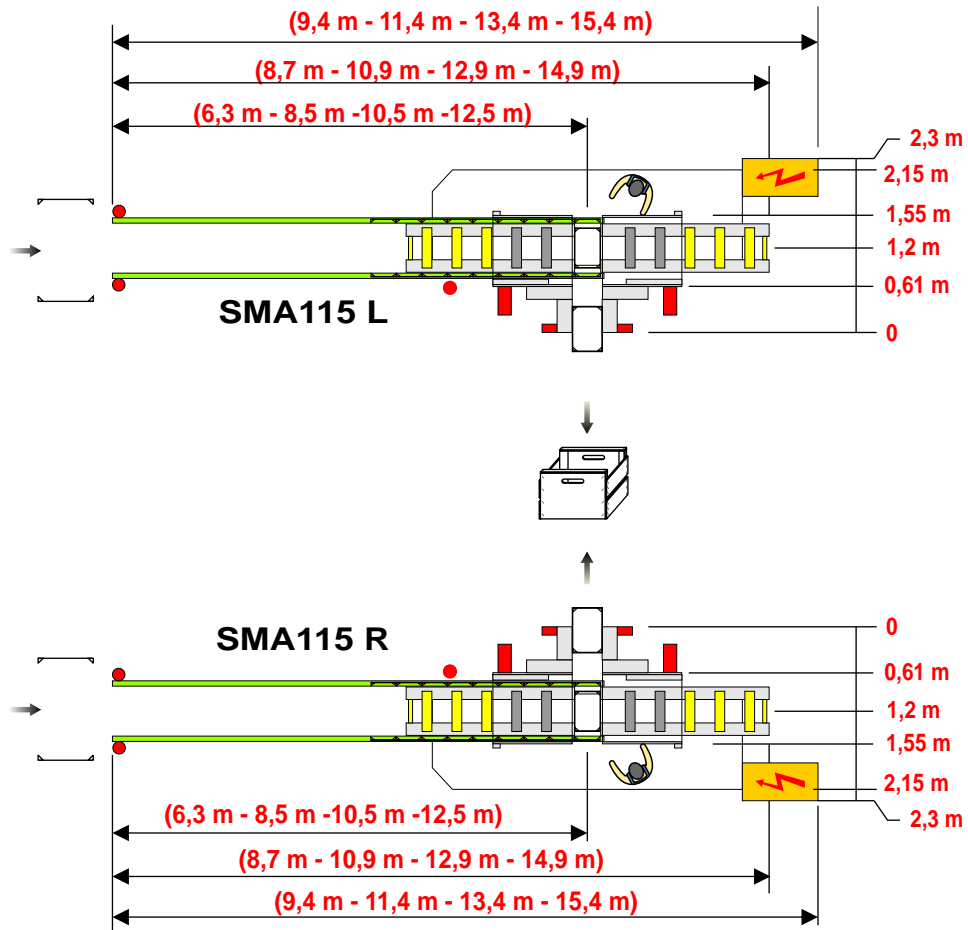
NOURIS



- SMA -115 operates with four (4) high performance stitching heads working at the same time, having as a result an excellent stitching.
- Easy and fast programmable adjustment of stitches, of the production and all the other operations of the machine with the possibility of adjustment storage for many different boxes .
- Fast and accurate adjustment of the case's dimensions by position indicators and electrical motors.
- Easy and fast adjustment of the position of leaves due to special chains without replacing special spacers.
- The stitching heads operates by high technology SERVO motors having as a result excellent accuracy of the position of stitches.
- Automatic feeding of ends by automatic connection with SMA-110/4.
- Electrical box air conditioned.
Special security devices (CE).

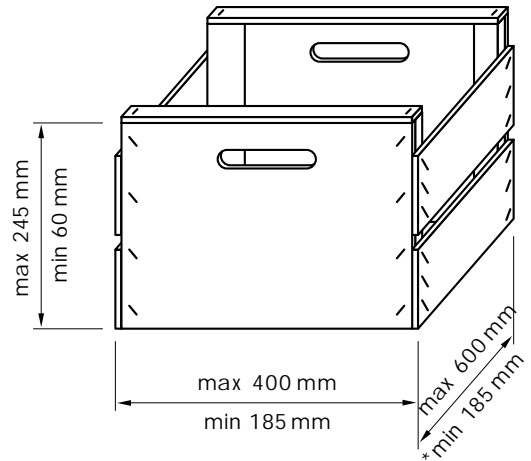


NOURIS



T E C H N I C A L D A T A

Power	15 Kw
Electric supply	380 V - 50Hz 3 phase
Compressed air supply	6 Bar
Air consumption	400 Nlt / min max
Diameter of wire	1,2 mm - No 7
Stitching heads	4
Step of chain	304,8 mm
Production (theoretic) cases / h	4.200 max
Weight	4.200 Kg



* SMA115SP min. 185 mm
SMA115 min. 245 mm



NOURIS

NOURIS M. SONS O.E.

14th km. old National Road Thessaloniki - Veria , P.O. Box 4, 570 08 Ionia, Thessaloniki, GREECE
Tel: (00 302310) 722 506, Fax: (00 302310) 722 086 - <http://www.nouris.gr> - email: info@nouris.gr