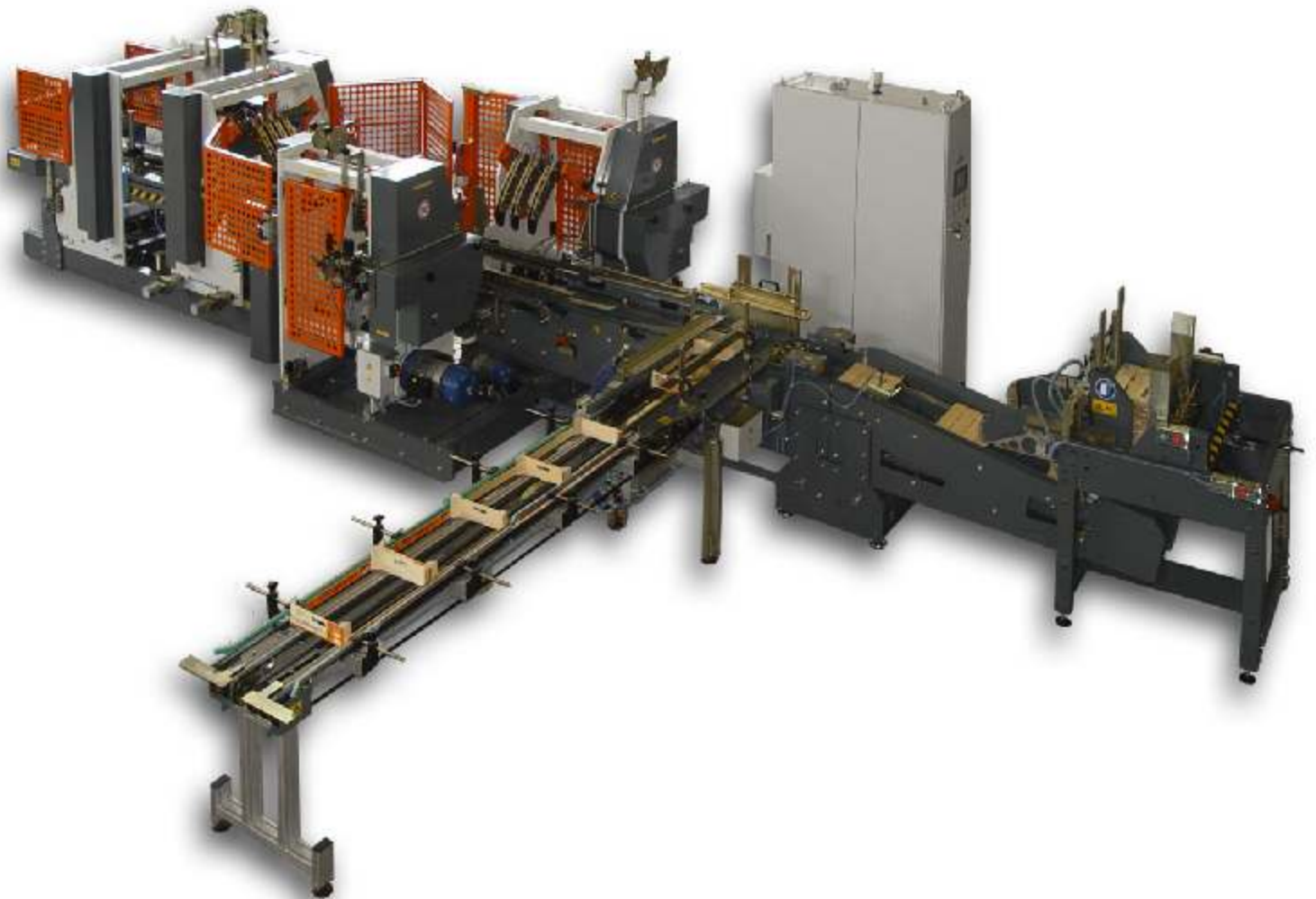


AUTOMATIC BOTTOMS ASSEMBLER OF WOODEN BOXES

SMA 120C



NOURIS



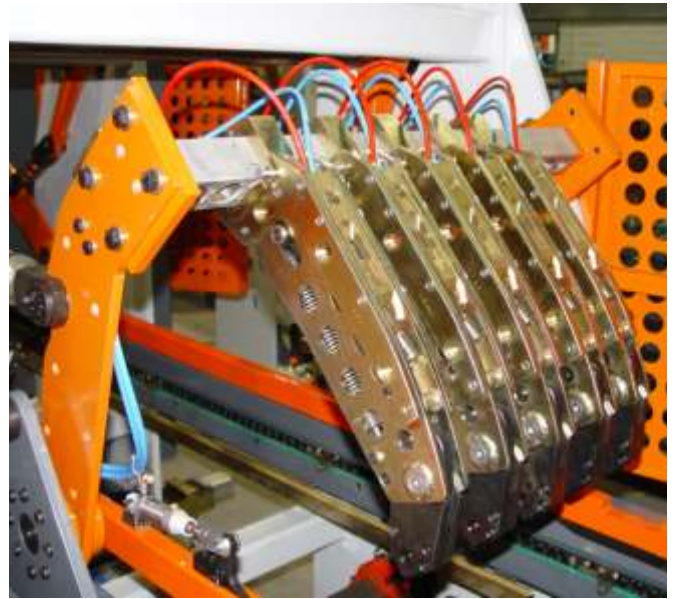
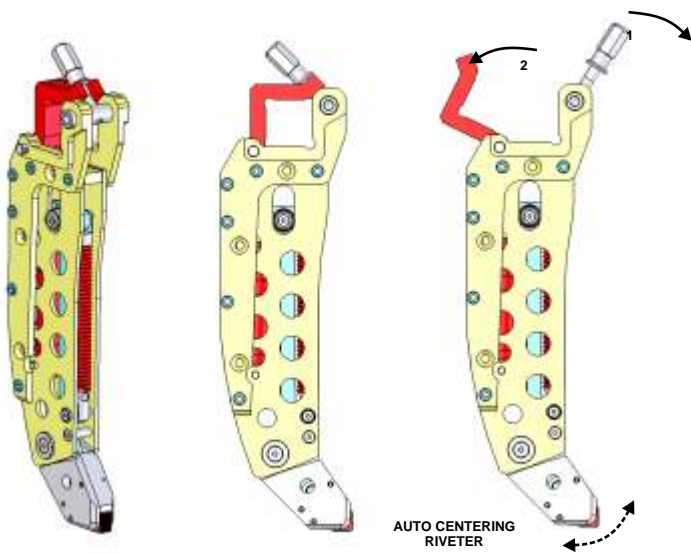
- a. Four angular stitching heads for the head sides (2+2) driven by digital driver.
- b. Eight angular stitching heads for the sides (4+4) driven by digital driver
- c. Four point stitching heads for the stitching of the bottom to the triangles of the frame. (*SMA122 OPTION)
- d. High performance mechanical-pneumatical riveter (esclusive NOURIS). Auto centered system with very fast assembly - disassembly system .
- e. Chains of 1" driven by servo motor.
- f. Every stitching head is regulated by an individual lever.
- g. Adjustment of the dimensions length & width by an electrical motor.

All the functions are controlled by a PLC. There is a touch screen for the programming of all the parameters. All the alarms appeared on the touch screen.

The Electrical cabinet includes cooling device and modem for the remote control of the machine.

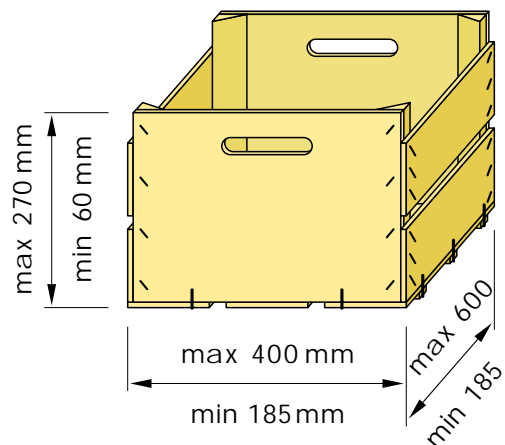
Complines CE standards.

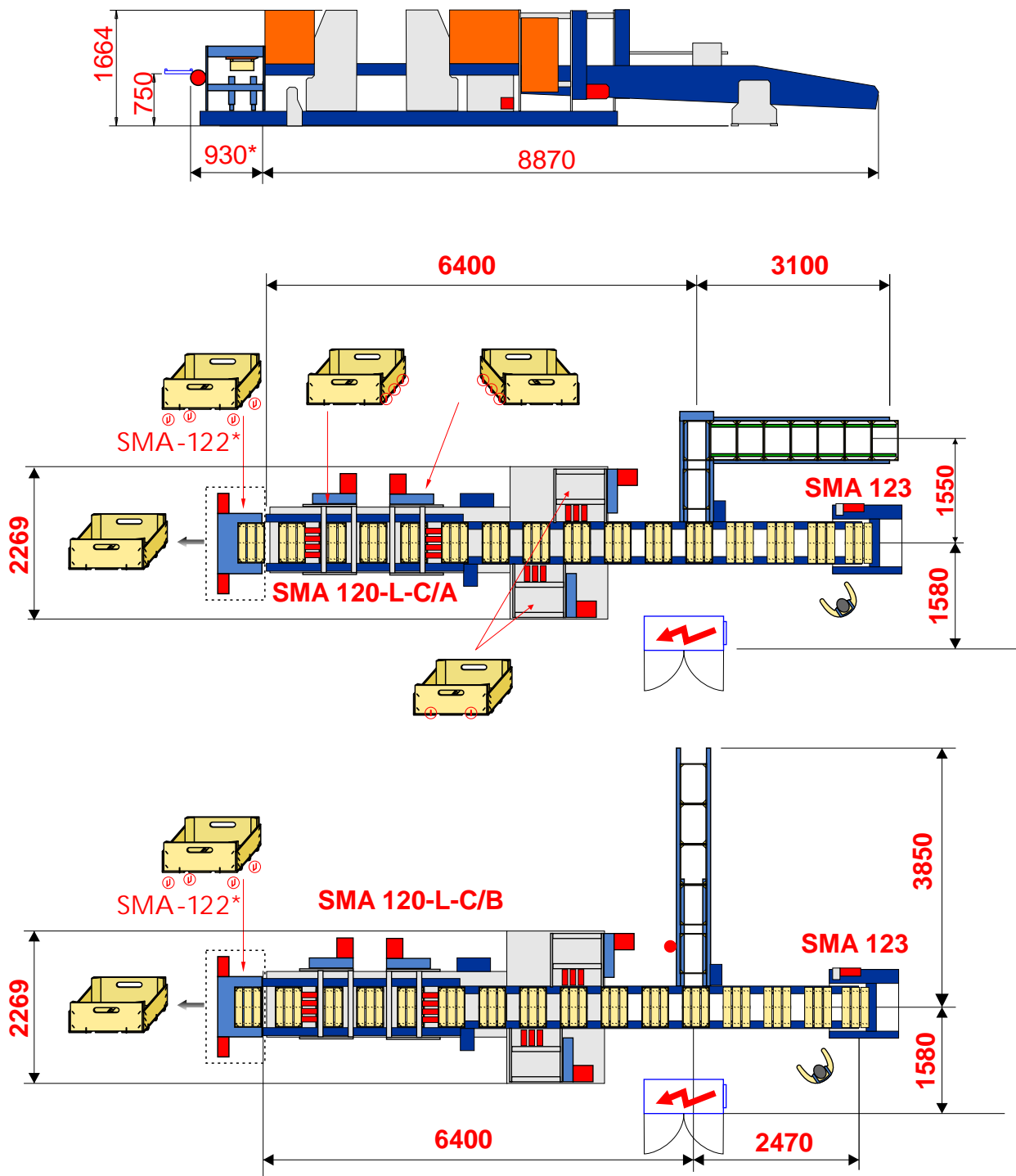




Riveters mechanical-pneumatical
(exclusive NOURIS)

Installed power SMA120-C	24,81 kW
+ installed power SMA122 *	+2,2 kW
Voltage	380 V - 50 Hz 3 phase
Consumption of compressed air	320 Nlt / min 6 bar
Diameter of wire	1,2 mm - No 7
Min. distance stitch-stitch	95 mm
Capacity (theoretical)	4.200 max
Weight SMA120-C	7.200 Kg
+ weight SMA122*	400 Kg





NOURIS

NOURIS M. SONS O.E.

14 th km. old National Road Thessaloniki - Veria , P.O. Box 4, 570 08 Ionia, Thessaloniki, GREECE
 Tel: (00 302310) 722 506, Fax: (00 302310) 722 086 - <http://www.nouris.gr> - email: info@nouris.gr