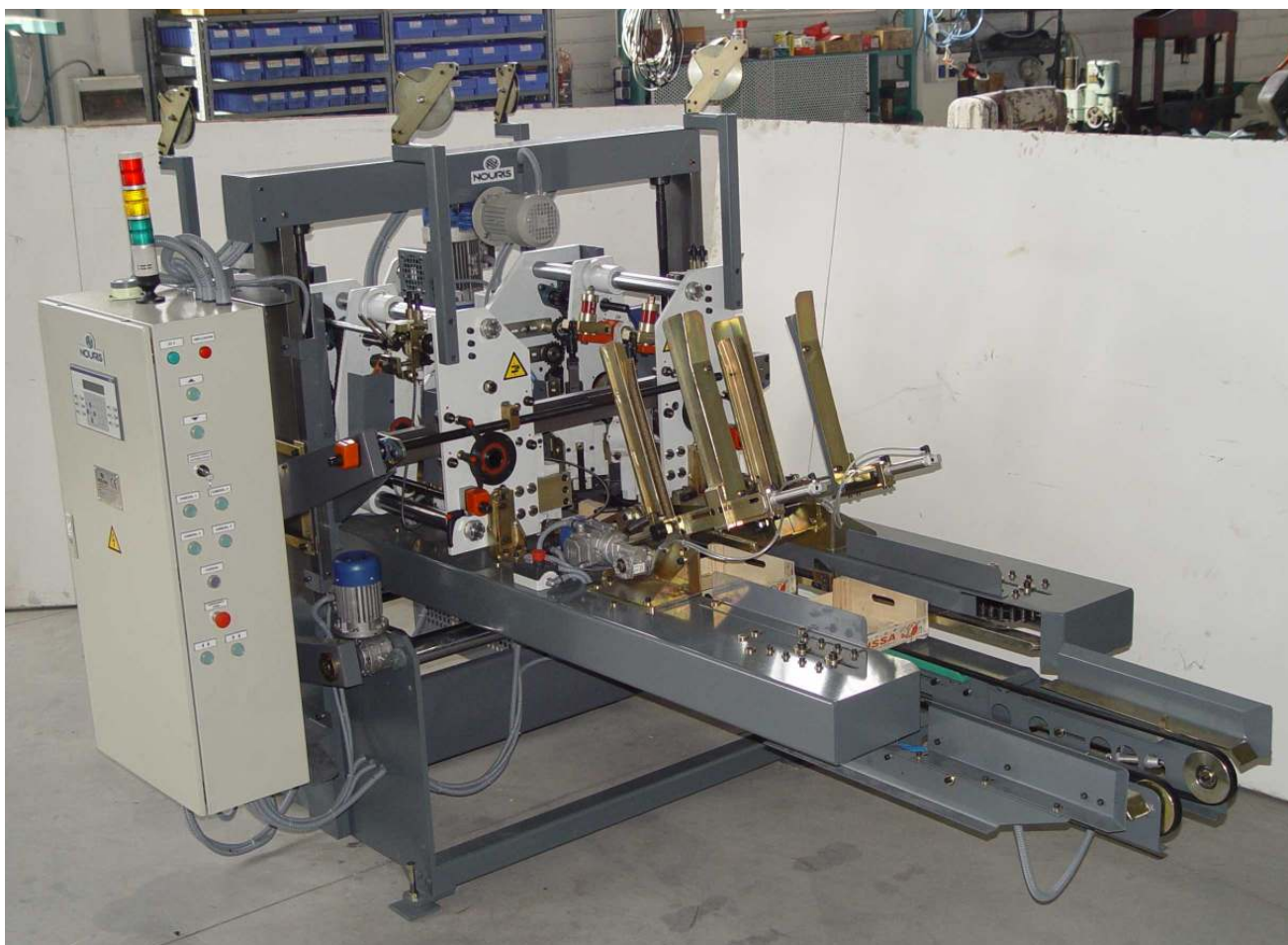


AUTOMATIC STITCHING MACHINE FOR HANDLES

SMA-121
& 121C

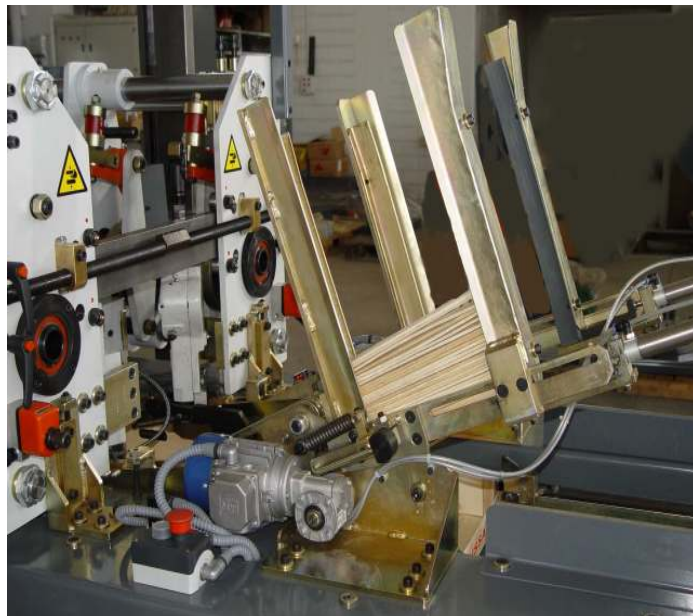


NOURIS

mod. SMA121 & SMA 121-C



Four stitching heads with monoblock system.
Easy, fast and accurate adjustment.



Two automatic feeders for handles.



NOURIS

mod. SMA 121-C

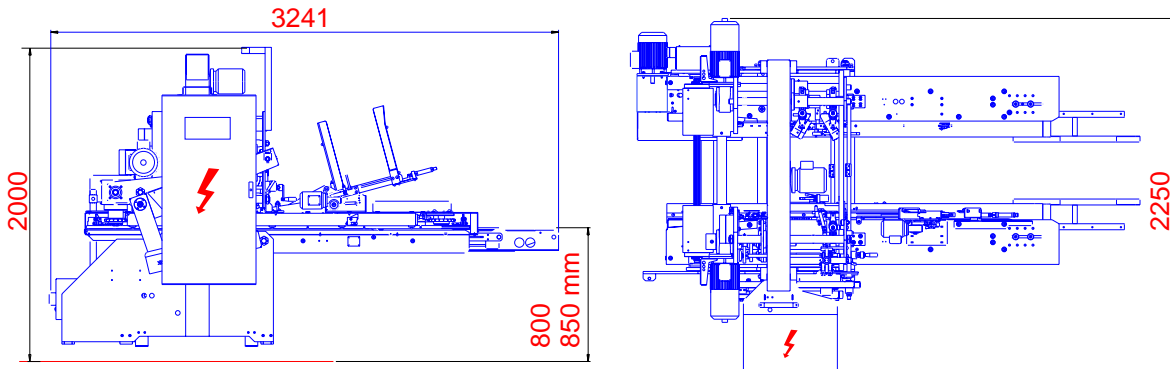


TYPE SMA121C: Two angle stitching heads at the exit type monoblock for the stitching at the middle of the barret.

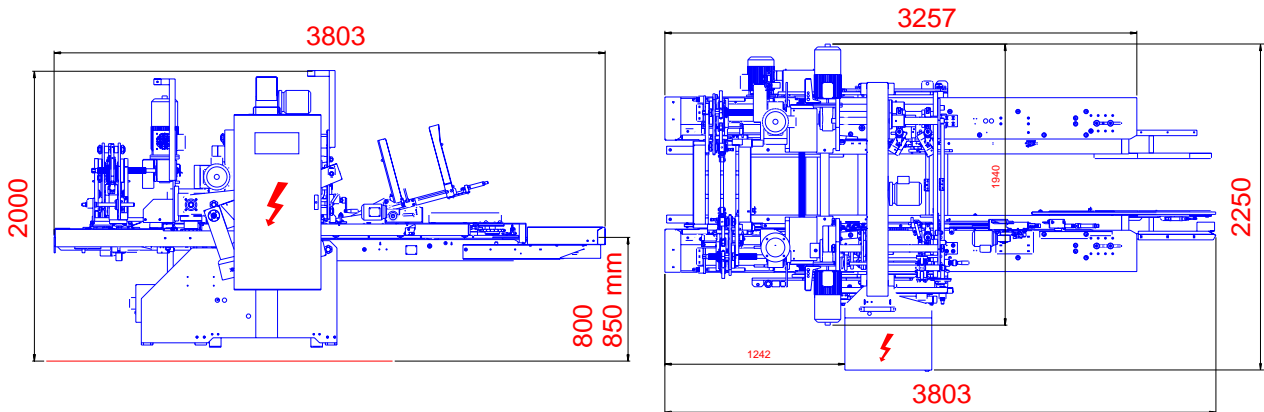


NOURIS

TYPE SMA121



TYPE SMA121-C



TECNICAL DATA:

Production: 4.200 boxes/hour (theoretical maximum)

Dimension of boxes: Length 285 mm (min) - 600 mm (max)

Width 185 mm (min) - 400 mm (max)

Height 60 mm (min) - 260 mm (max)

(Special dimensions upon request)

Total installed power: Type SMA 121 7 KW

SMA 121-C 9,2 KW.

Total weight: Type SMA 121 aprx. 2100 Kg

SMA 121-C 2600 Kg

Diameter of wire: 1,2mm

Compressed air consumption: Type SMA 121 : 40 Nlt/h (max) - 6 bar

SMA 121-C : 50 Nlt/h (max) - 6 bar

Electrical supply: 3X380V +/- 10% - 50 Hz.

The machinery complies the CE rules.



NOURIS
NOURIS M. SONS O.E.

14o Km old national road Thessaloniki - Veria
P.O.Box 4, 570 08 IONIA, Thessaloniki GREECE

Tel: +30 2310 722 506, Fax: +30 2310 722 086- [http://: www.nouris.gr](http://www.nouris.gr) -email: info@nouris.gr