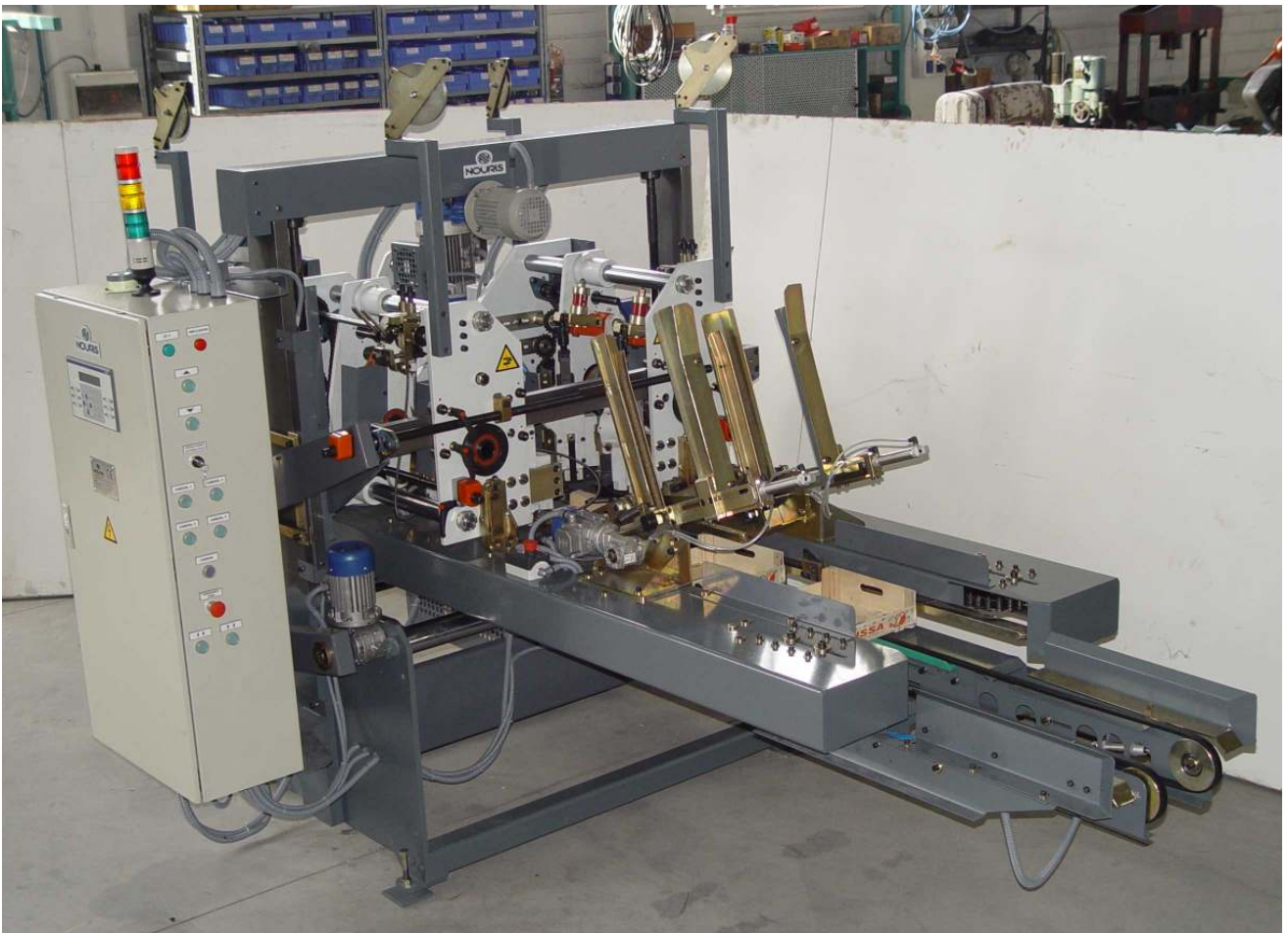


**SMA-121  
& 121C**

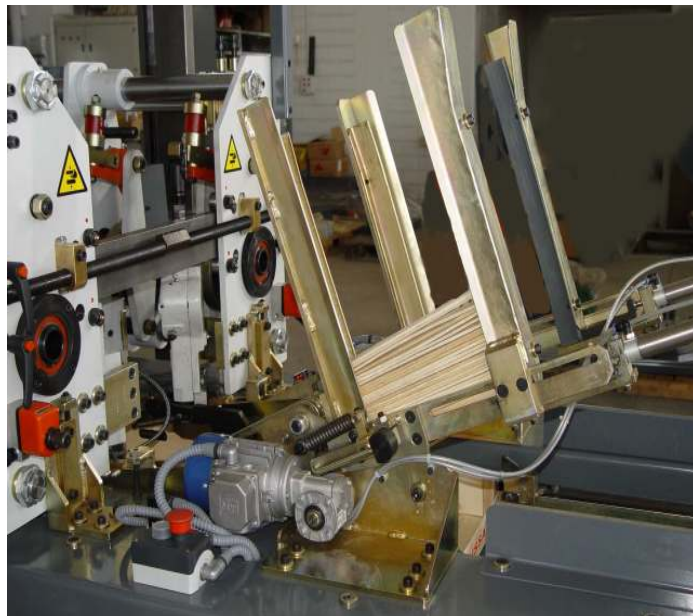


**NOURIS**

## mod. SMA121 & SMA 121-C



T?sse?? s???apt ??? ?ef a??? t?p?? monoblock.  
μ μ μ , μ μ .



μ μ μ .



**NOURIS**

mod. SMA 121-C

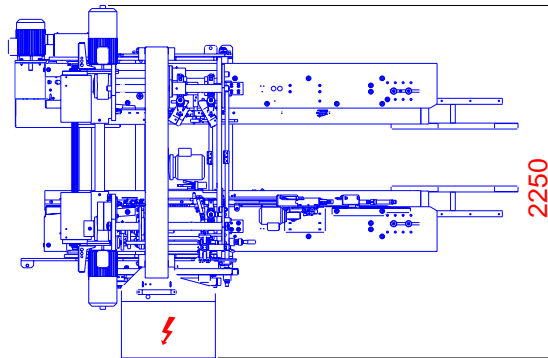
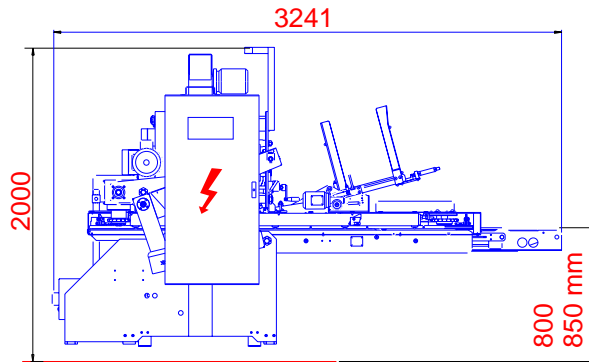


SMA121-C:

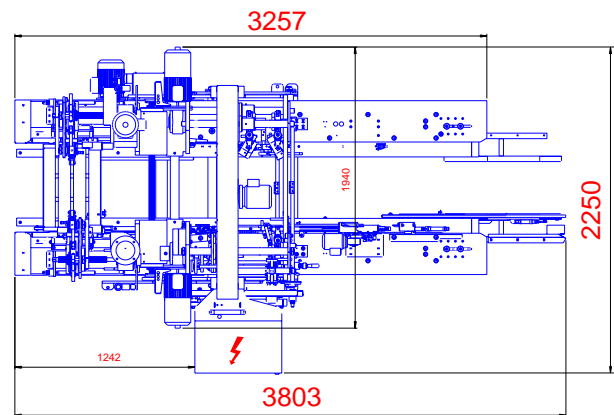
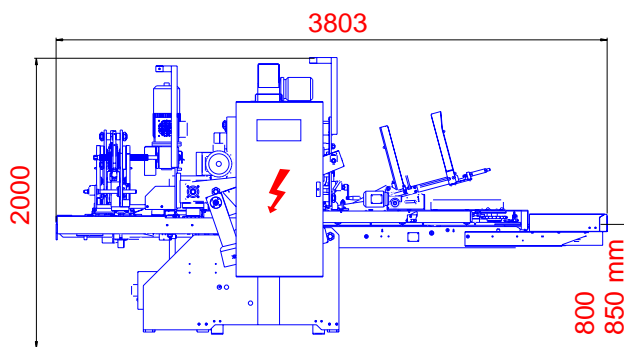


**NOURIS**

## TYPE SMA121



## TYPE SMA121-C



: 4.200 / (theoretical maximum)  
 : 290 mm (min) - 600 mm (max)  
 : 190 mm (min) - 400 mm (max)  
 : 60 mm (min) - 260 mm (max)  
 ( )  
 μ : SMA 121 7 KW.  
       SMA 121-C 9,2 KW.  
 : SMA 121 2100 Kg  
       SMA 121-C 2600 Kg  
 μ μ : 1,2mm  
       μ : Type SMA 121: 40 Nlt/h (max) - 6 bar  
           SMA 121-C : 50 Nlt/h (max)- 6 bar  
 : 3X380V +/- 10% - 50 Hz.  
 μ μ CE.



# NOURIS

M.

14o Km old national road Thessaloniki - Veria

. 4, 570 081 NIA,

: 2310 722 506, Fax: 2310 722 086- [http://: www.nouris.gr](http://www.nouris.gr) -email: [anastasios@nouris.gr](mailto:anastasios@nouris.gr)