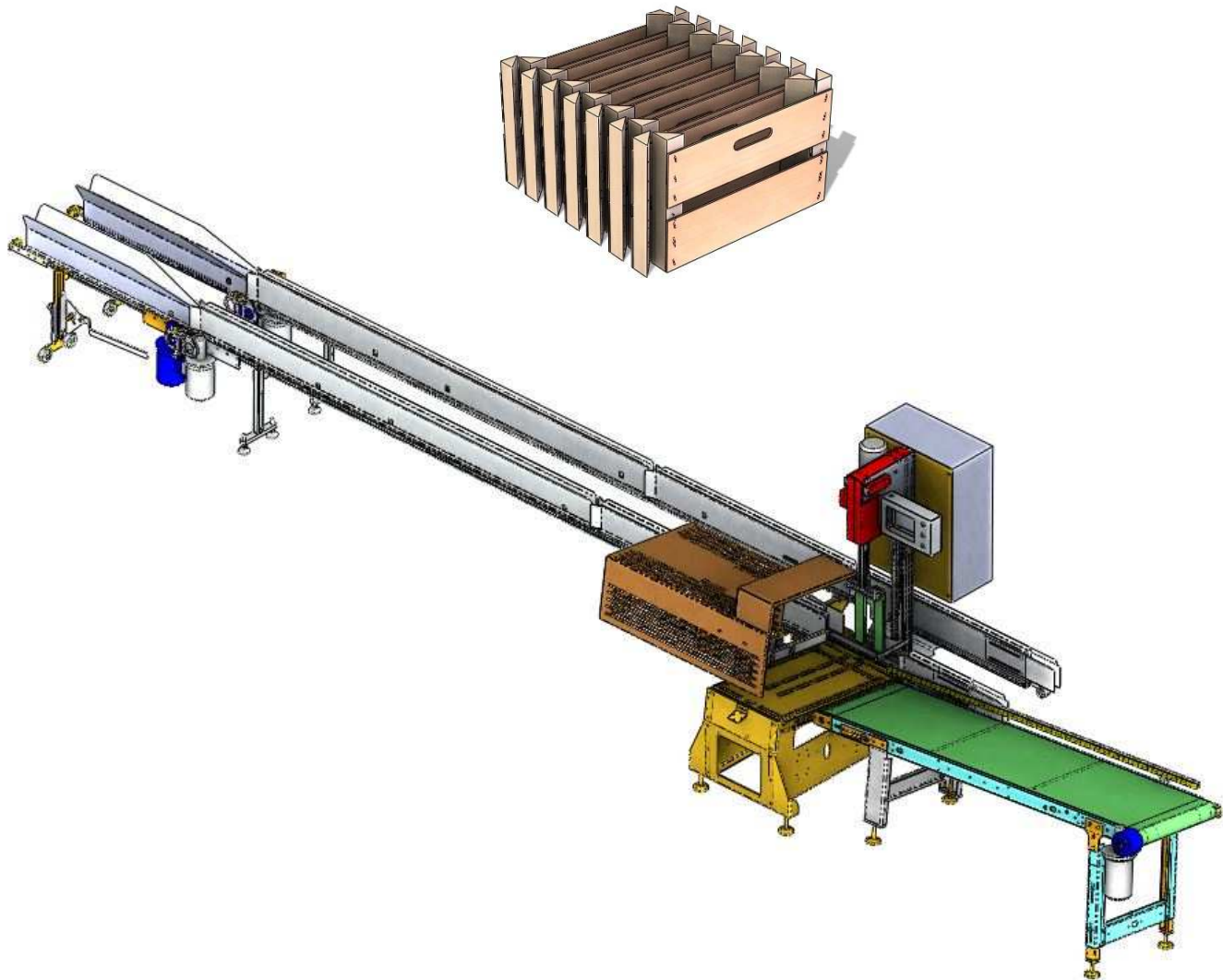


FRONT SIDE COLLECTOR AUTOMATIC MACHINE

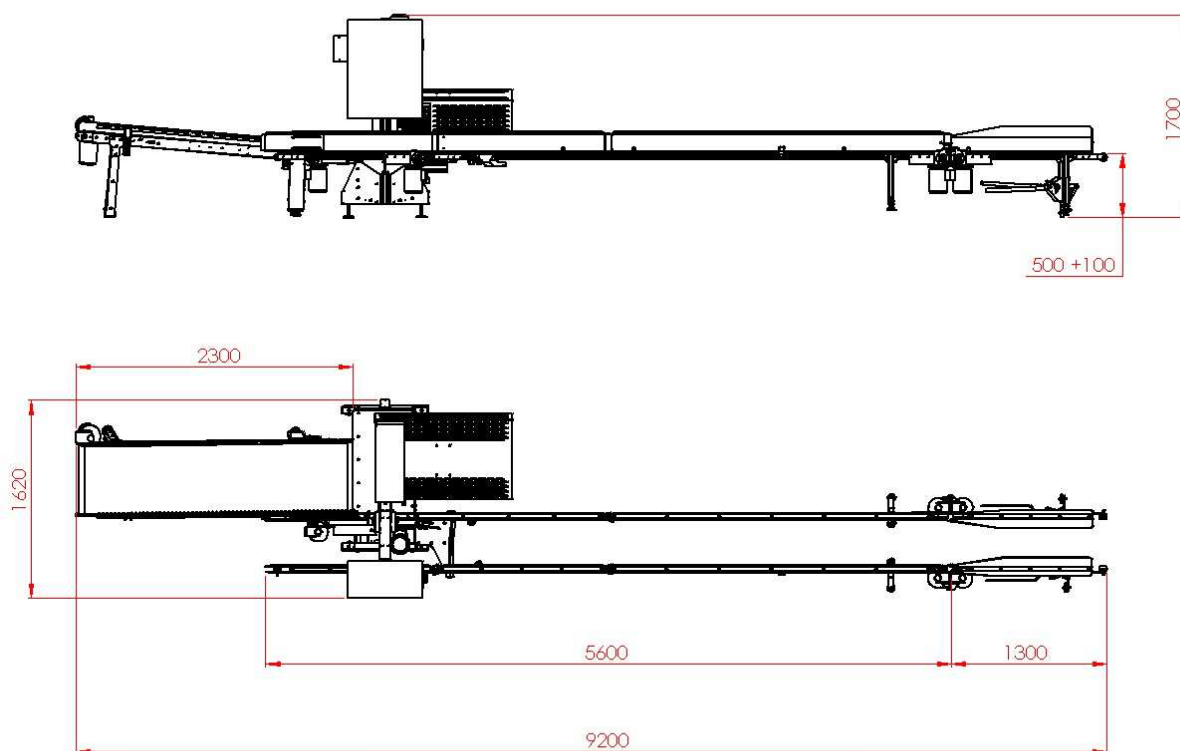
SMA124



NOURIS

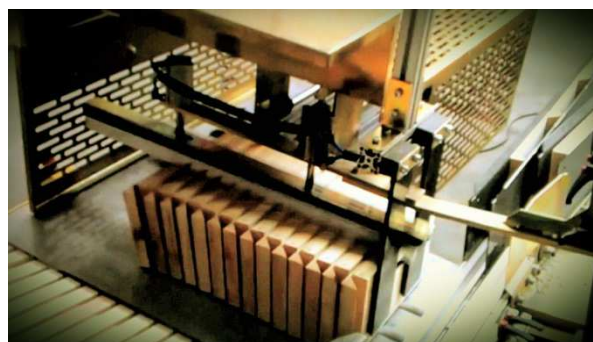
www.nouris.gr

DIMENSIONS:



BASIC FEATURES:

- Quick and easy change of parameter settings.
- Operator screen type of 10" touch-screen.
- Ability to connect with machine of type SMA110 during front side entrance.
- Ability to connect with type machine SMA135 or SMA115 during front side exit.
- Security declarations EC.



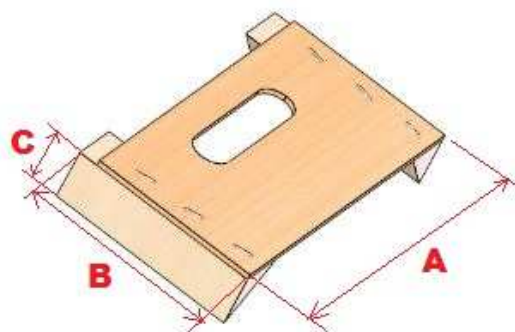
TECHNICAL CHARACTERISTICS FOR SMA124:

Total Power	4kW
Electrical current	3 X 400V-50Hz-4A max
Air supply (min)	6bar
Production (max)	4000 front sides/hour
Weight	500 kg

FRONT SIDE DIMENSIONS:

SMA124 model can pack a range of front sides depending on your needs. Common dimensions are given below

A	185-400mm
B	60-260mm
C	26-38mm



M.NOURIS SON'S G.P

14th km, old National Road Thessaloniki – Veria, P.O. Box 4, 570 08 Ionia,
Thessaloniki, Greece, Tel: (+30 2310 722 506) Fax: (+30 2310 722 086),
e-mail: info@nouris.gr